



Mi-8AMT VIP cabin No.7360
Date of production: June 2014

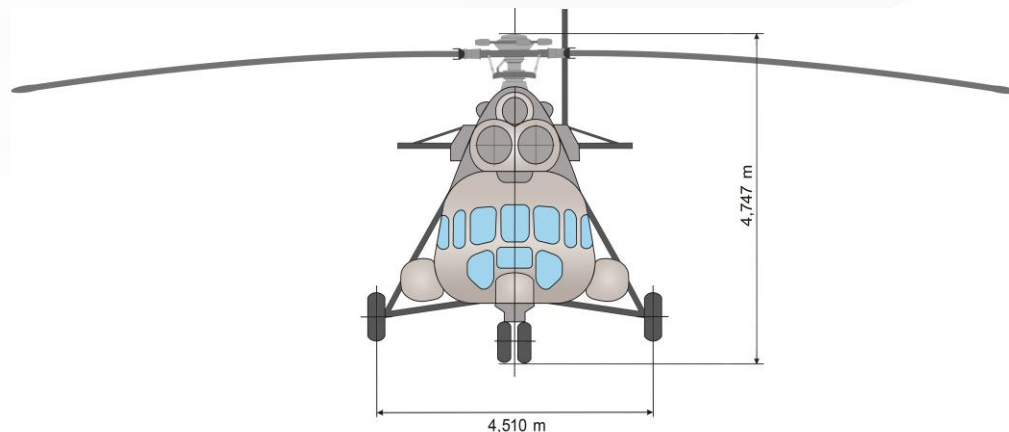
Time since new (TSN): 470 hrs 13 min
 Location: territory of JSC "U-UAP"

- ✓ Mi-8AMT helicopter in VIP configuration can be delivered within the shortest time
- ✓ At a Buyer's discretion the helicopter can be re-painted according to any color scheme provided (under a separate agreement);
- ✓ The helicopter has in-built mount points and fixtures for the installation of external sling, troop seats, mooring and medical equipment.



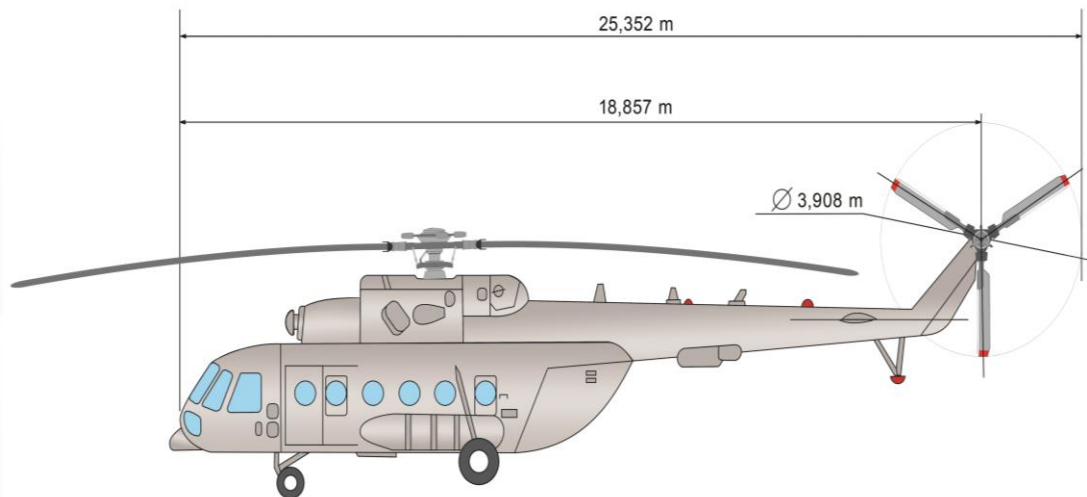
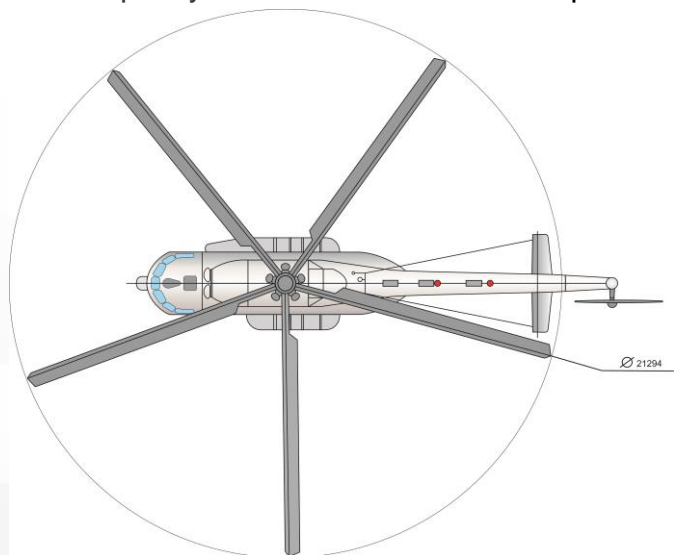
FLIGHT PERFORMANCE OF Mi-8AMT

Max takeoff weight	12,000 kg
Passenger cabin usable volume	23 m ³
Maximum speed	250 km/h
Cruise speed	230 km/h
Flight range:	
– with main fuel tanks	≈ 800 km
Service ceiling	6,000 m
Cabin capacity:	up to 13 pax



Time since new (TSN): 470 hrs 13 min

Location: territory of JSC "U-UAP"



Mi-8AMT CABIN LAYOUT



- 1. Flight attendant seat
- 2. Galley
- 3. Bulkhead with folding door
- 4. Premium seat
- 5. Folding table

- 6. Passenger seat
- 7. Table
- 8. Bulkhead with folding door
- 9. Wardrobe
- 10. Lavatory

Mi-8AMT HELICOPTER IN VIP CONFIGURATION IS DESIGNED FOR COMFORTABLE TRANSPORTATION OF UP TO 12 PASSENGERS ACCOMPANIED BY A CABIN ATTENDANT

Mi-8AMT / VIP cabin / SN 7360

CABIN FEATURES



Mi-8AMT / VIP cabin / SN 7360

FLIGHT AND NAVIGATION EQUIPMENT

Autopilot **АП-34Б ser.2**

Multifunctional display

ИМ-16М-4НЛ

AMS- indicators (2 sets)

Digital map generator **RN7**

Weather radar **8А-813Ц ser.4**

Navigation and landing equipment **KN 53**

Heading and glide path indicator **KI 204**

Ground proximity warning system **СРПБЗ**

Air data system **AD32**

Distance measurement equipment **KN-63**

Doppler velocity sensor

СМА-2012С(R)

ATC transponder **КТ 76С**

Radio station **Пульсар**

Radio station **Прима-МВ**

Onboard flight data recorder

БУР-1-2 ser.2

Voice data recorder **П-503Б**

Emergency location transmitter **ПАРМ-406А**

Interphone System **СПУ-7**

Radar transponder **6201-9**

Automatic direction finder **АРК-35-1**

Emergency beacon **АРМ-406Н1**

Voice announcement equipment

АЛМАЗ-УПМ

ADDITIONAL SERVICES

The following additional services are available under separate agreements:

- Installation of additional optional equipment to extend functional capabilities of the helicopter;
- Helicopter life cycle support;
- Training of flight and technical personnel in a certified aviation training center on Mi-8/17 type simulator to improve professional skills and to drill actions in emergency situations;
- Supply of spare parts, GSE and test equipment;
- Delivery of helicopter by air to any destination worldwide.



For acquisition please contact:

Maxim Prokhorov

Head of International Sales

m.prohorov@rhc.aero